

level : easr æ: edt

**level switch HIU 342**

**æatr æs**

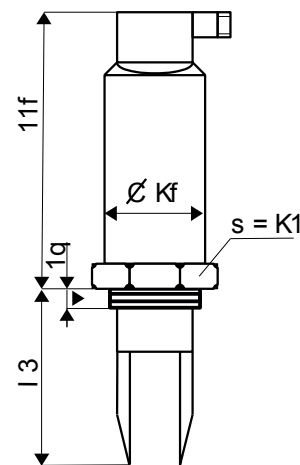
- . level switch unoallur i- t(pes
- . : easr ðdg þðcciple nscillatind unðs
- . mXr st - esigd with a cnddectind hea- : a- e nustaidless steel
- . - eüdate- pnsitind nuthe unðs X( id- icatind nd the nr tsi- e

**techdical speciucatinðs**

- . hnr sidg : a- e nustaidless steel 1XKqf 4
- . : e- ir: . tãdgedt cn: pndedts 9unðs) : a- e nustaidless steel 1XK481
- . pncess cnddectind G1Vscæw.id thæa-
- . electöcal cnddectind with plr g  $\text{DSCKkf}$  f nonptindal ünæ- caXle cnddectind no staidless steel cnddectind hea- with Xniltidg no/ 10.plr g
- . pntectind class D I 49with plr g)7D I Hwith caXle cnddectind7D I 3z with +.hea-
- . ar nliãq sr ppl( 10x44 " BO7: anxcr æedt q4f : k at 44 " BO
- . ar nliãq sr ppl( Of .044 " k O 4f ð f ° L7: anxcr æedt q4f : k
  - : idxcr æedt 1f : k at 044 " k O
  - : idxcr æedt 04 : k at 0K " k O
- . switchidg ur dctind ur llæ: pt( X( pnlãit( nuar nliãq sr ppl(
- . te: peætr æ æadge .Kf xE1qf =O
- . : anxnpeatidg pæssr æ I Xaõ7ntheot(pes nd æN est
- . with switchidg statr s L+B7Xicnlæ-



HIU342.6-1-A-1-B



**applicatind æes**

- . üll level - ectind id cases ad- pipelides
- . pntectind agidst - ç r ddidg
- . pntectind agaidst nveüllidg
- . e: pt( .ærl addnr dce: edt

no eqcn- e HIU 342xxx

no eoena: pleAHIU342.60-1-C190-1-B

**cnddectind hea-**

- .4 cnddectind hea- staidless steel stad- ao- with scæwidg
- . I cnddectind hea- staidless steel stad- ao- with / 10.plr g nd the si- e
- . I f cnddectind hea- staidless steel stad- ao- with / 10.plr g id the crveoplate
- . kf plr g  $\text{DSCKkf}$  f
- . kq with ünæ- caXle cnddectind q:
- . k4 with ünæ- caXle cnddectind 4:
- . kPP caXle ledgth nd æN est7please speci( ledgth id : eteo

**- esigd nunscillatind unðs**

- .1 staidless steel Xr uæ-
- .0 staidless steel high glnss Xr uæ-
- .q , yFk .cnate-

**ledgth nunscillatind unðs**

- .k shnd - esigd 9edgth nuthe unðs q3 : : )
- .b stad- ao- - esigd 9edgth idclxthæa- 10I : : )
- .OPP ented- e- - esigd 9 p tn q : pnsiXle) please speci( ledgth id 1f f : : steps

**pncess cnddectind**

- .1 G1Vscæw.id thæa-

**nr tpr t electöndic s( ste:**

- .k 0.wiæ k O Of .044 9not pnsiXle with cnddectind hea- staidless steel)
- .b q.wiæ BO , 2 , æ , 2710.44 " BO

rp- ate- f 10f 1H