

# INCREMENTAL ENCODER MyInc

# EINH80

- Industry Standard Size Ø 80 mm
- IP 65 Protection, Option IP67
- 5 to 30 Volts, RS 422 Compatible
- <300 kHz Maximum Frequency
- Resolutions up to 8192 cpt



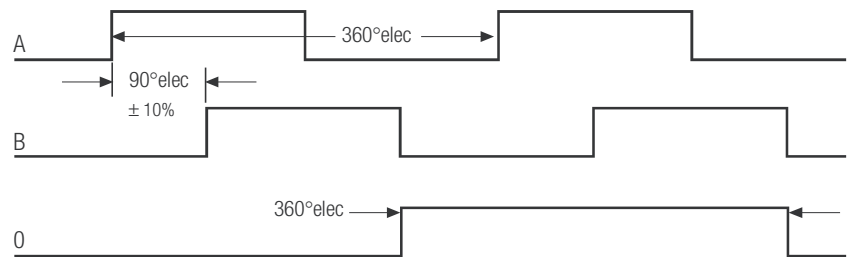
## Electrical Specifications

Supply Voltage	5-30 VDC, 5 VDC
Current Consumption	<60 mA (24 VDC)
Output Circuit	Push-Pull, RS 422A (line driver)
Impulse Frequency	<300 kHz (max.)
Logic Level (high)	V <sub>cc</sub> - 0.7 Volt
Logic Level (low)	0.25 Volt (max.)
Short Circuit Protection	100 %

## Mechanical Specifications

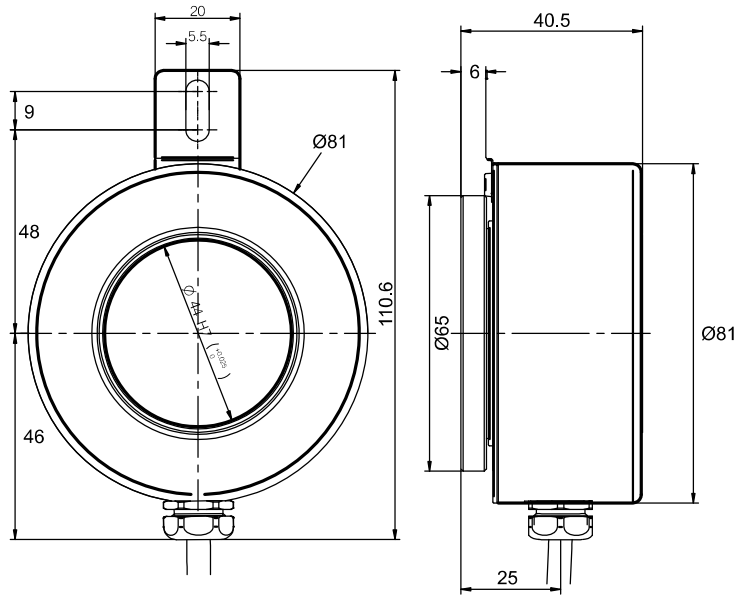
Cover	Aluminium
Body	Aluminium
Shaft	Stainless steel
Speed	10000 RPM (max.)
Torque	< 0.025 Nm (IP 67)
Loading	Axial 140 N, Radial 240 N
Protection	IP 65, Option IP 67
Temperature	-20 °C . . . +85 °C
Weight	500 g

## Output Signals



A Leads B in the CW Direction (facing shaft)  
Complimentary channel also available





## Connections

Function	Cable Colours, 3R
0 Volt	brown
+ Volt	white
A	green
B	yellow
0	grey
$\bar{A}$	red
$\bar{B}$	pink
$\bar{0}$	blue

## ORDERING CODE

EINH80



Shaft Ø

38 = 38 mm  
40 = 40 mm  
42 = 42 mm  
44 = 44 mm



Output Circuit

A5 = Push Pull  
4.75 to 30 VDC  
A2 = Line Driver 5 VDC,  
RS 422  
A9 = 8-30 VDC  
Line Driver 5 VDC,  
RS422



Output Signals

9 = A+B+0+Compliments



Connection

3R = shielded cable, 2 m,  
radial output



Resolution

1024, 2000, 2048, 4000,  
4096, 8000, 8192