

# INCREMENTAL ENCODER MyInc

# EINH50

- Industry Standard Size Ø 50 mm
- IP 65 Protection, Option IP67
- 5 to 30 Volts, RS 422 Compatible
- <300 kHz Maximum Frequency
- Resolutions up to 5000 cpt



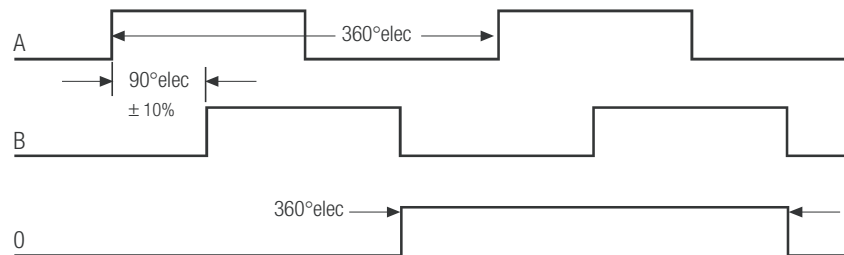
## Electrical Specifications

Supply Voltage	5-30 VDC, 5 VDC
Current Consumption	<60 mA (24 VDC)
Output Circuit	Push-Pull, RS 422A (line driver)
Impulse Frequency	<300 kHz (max.)
Logic Level (high)	Vcc - 0.7 Volt
Logic Level (low)	0.25 Volt (max.)
Short Circuit Protection	100 %

## Mechanical Specifications

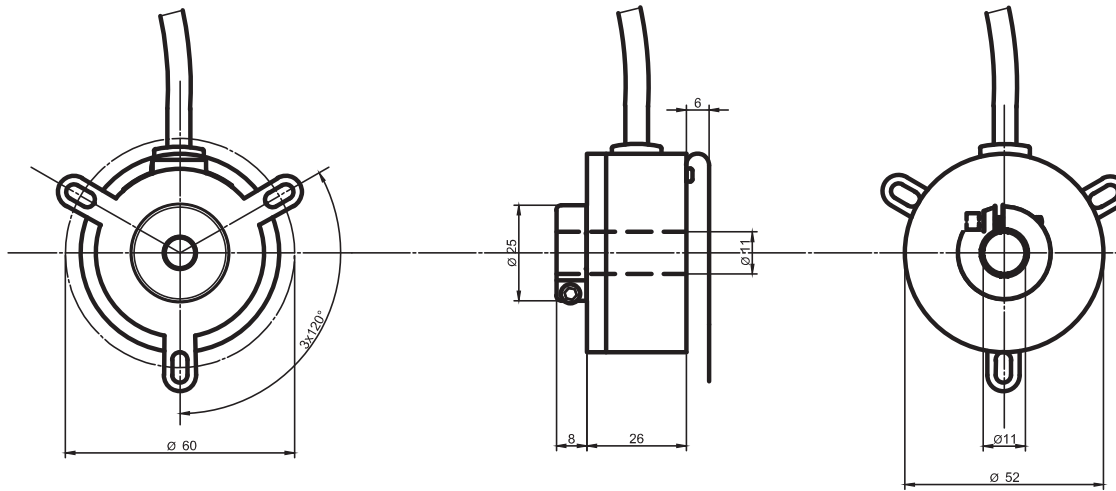
Cover	Aluminium
Body	Aluminium
Shaft	Stainless steel
Speed	10000 RPM (max.)
Torque	< 0.025 Nm
Loading	Axial 80 N, Radial 100 N
Protection	IP 65, Option IP 67
Temperature	-20 °C . . . +85 °C
Weight	240 g

## Output Signals



A Leads B in the CW Direction (facing shaft)  
Complimentary channel also available





Connections

Function	Cable Colours, 3R
0 Volt	brown
+ Volt	white
A	green
B	yellow
0	grey
$\bar{A}$	red
$\bar{B}$	pink
$\bar{0}$	blue

ORDERING CODE

EINH50	Shaft Ø	Output Circuit	Output Signals	Connection	Resolution
	06 = 6 mm 08 = 8 mm 10 = 10 mm 12 = 12 mm 14 = 14 mm 15 = 15 mm	A5 = Push Pull 5 to 30 VDC A2 = Line Driver 5 VDC, RS 422 A9 = 5-30 VDC Line Driver 5 VDC, RS422	9 = A+B+0+Compliments	3R = shielded cable, 2 m, radial output	750, 900, 1000, 1024, 1250, 1500, 1800, 2000, 2048, 2500, 3000, 3600, 4000, 4096, 5000