

level measurement

level device PXI 422

features

- level evaluation module for assembly in top hat rail in switchboards
- conductive measuring methods
- narrow housing design 22,5mm
- adjustment of the sensitivity possible by poti
- time lag adjustable by poti
- pump control with 3-rod probe integrated
- channel 2 applicable separately as protection against dry running or full detector
- relay output 2 changer or active electronic outputs PNP
- 2 status-LED at front site

technical specifications

- auxiliary supply 230 VAC, 24VAC or 24VDC
- electrode supply 5VAC
- measuring areas 1...100kOhm
- outputs 2 changer or electronic outputs 24VDC PNP
- time delay: 0,5...10sec adjustable, channel 1 level detector
0,5sec fixed, channel 2 full/empty detection
- width of housing 22,5mm

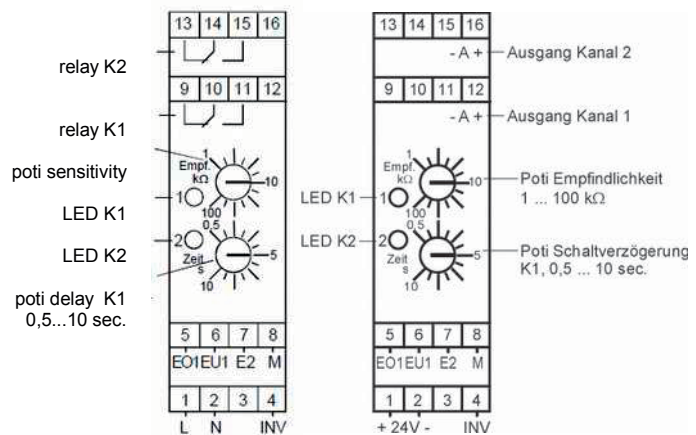


PXI 422-1-A-1

setting-up advices

- connect device like description in the installation chart
- poti time lag and poti sensitivity open minimum (left arrester) setting up
- increase the fill level, so far that the electrode EO1 is covered safe
- turn the poti sensitivity to the right, as far as the relay switched safe or rather the status-LED for channel 1 switches to green
- if required please adjust the time lag with the poti
- the level function can be inverted with clamp 4 (on ground)

- 1 power supply 230V L1 // 24VDC+
- 2 power supply 230V N // 24VDC-
- 3 not clogged
- 4 inverting level function (strap on Kl.8 M)
- 5 electrode channel 1 top
- 6 electrode channel 1 down
- 7 electrode channel 2
- 8 ground (barrier of the case)
- 9 relay K1 opening contact // not clogged
- 10 relay K1 // not clogged
- 11 relay K1 closing contact // not clogged
- 12 not clogged // PNP output channel 1
- 13 relay K2 opening contact // not clogged
- 14 relay K2 // not clogged
- 15 relay K2 closing contact // not clogged
- 16 not clogged // PNP output channel 2



PXI 422-1-A-1 PXI 422-3-A-2

order-code PXI422

order example: PXI422-1-A-1

power supply

- 1 230VAC
- 2 24VAC
- 3 24VDC

measuring areas

- A 1K...100KOhm

outputs

- 1 relay outputs
- 2 electronic outputs PNP 24VDC (only possible with power supply 24VDC)