

- Low price at high performance
- IP 64
- Wide temperature range (-20 ... +85 °C)
- Housing is resistant against environmental influences due to chromium plated surface
- Sturdy cable output with multiple clamping
- Temperature compensation
- Broad input voltage range (5 ... 24 V or 8 ... 30 V)
- Highly flexible cable with stands constant flexing at 0 °C ... 70 °C
- Low power consumption despite high scanning rate
- Reverse connection protected and short-circuit proof



## Mechanical characteristics:

Speed:	max. 12000 min <sup>-1</sup>
Rotor moment of inertia:	appr. 0,1 x 10 <sup>-6</sup> kgm <sup>2</sup>
Starting torque:	< 0,001 Nm
Weight:	appr. 0,06 kg
Protection acc. to EN 60 529:	IP 64
Working temperature:	-20 °C ... +85 °C
Shaft:	stainless steel
Shock resistance acc. to DIN-IEC 68-2-27:	1000 m/s <sup>2</sup> , 6 ms
Vibration resistance acc. to IEC 68-2-6:	100 m/s <sup>2</sup> , 55 ... 2000 Hz

## Pulse rates available at short notice:

10, 25, 36, 50, 60, 100, 125, 180, 200, 250, 360, 500, 512, 1000, 1024

Other pulse rates on request

## Electrical characteristics:

Output circuit:	Push-pull	Push-pull
Supply voltage:	5 ... 24 V DC	8 ... 30 V DC
Power consumption (no load):	max. 50 mA	max. 50 mA
Permissible load/channel:	max. 50 mA	max. 50 mA
Pulse frequency:	max. 160 kHz	max. 160 kHz
Signal level high:	min. U <sub>B</sub> = -2,5 V	min. U <sub>B</sub> = -3 V
Signal level low:	max. 0,5 V	max. 2,5 V
Rise time t <sub>r</sub> :	max. 1 μs	max. 1 μs
Fall time t <sub>f</sub> :	max. 1 μs	max. 1 μs
Short circuit proof outputs:	yes	yes
Conforms to CE requirements acc. to EN 50082-2, EN 50081-2 and EN 55011 Class B		

## Applications:

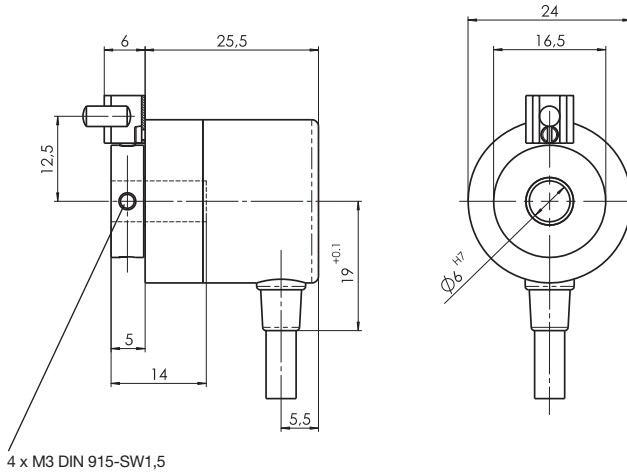
- Pick and place machines
- Handling machines for electronic components
- Quality testing machines
- Medical machines
- Mail opening and mail stuffing machines
- Check weighers
- Labeling machines
- Mole machines (camera control)

## Terminal assignment

Signal:	0V	+U <sub>B</sub>	A	$\bar{A}$	B	$\bar{B}$	0	$\bar{0}$	
Colour:	WH	BN	GN	YE	GY	PK	BU	RD	
without inverted signal:	WH	BN	GN		YE		GY		

Insulate unused outputs before initial startup.

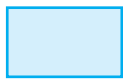
## Dimensions



## Mounting advice:

Do not connect encoder and drive rigidly to one another at shafts and flanges! Always use couplings to prevent shaft overload (see chapter accessories).

## ORDERING CODE



BINB24



### Flange

1 =  $\varnothing$  24 mm



### Shaft $\varnothing$

1 =  $\varnothing$  4 mm Blind shaft  
2 =  $\varnothing$  6 mm Blind shaft



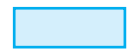
### Output and voltage supply

A1 = Push-pull (with inverted signals)  
5 ... 24 V DC supply voltage  
  
A5 = Push-pull (with inverted signals)  
8 ... 30 V supply voltage



### Connection

3A = Cable axial (2 m PVC-cable)  
3R = Cable radial (2 m PVC-cable)



### Resolution

1024 max.