

2200 Series / 2600 Series- General Purpose Industrial Pressure Transducers

- ▶ Gauge, Absolute, Vacuum and Compound Pressure Models Available
- ▶ Submersible, General Purpose and Wash down Enclosures
- ▶ High Stability Achieved by CVD Sensing Element
- ▶ Millivolt, Voltage and Current Output Models

The 2200 series features stability and accuracy in a variety of enclosure options. The 2600 series extends the packaging options via an all welded stainless steel back end for demanding submersible and industrial applications. The 2200 and the 2600 feature proven CVD sensing technology, an ASIC (amplified units), and modular packaging to provide a sensor line that can easily accommodate specials while not sacrificing high performance.

Specifications

Input	
Pressure Range	Vacuum to 400 bar (6000 psi)
Proof Pressure	2 x Full Scale (FS) (1.5 x Fs for 400 bar, >= 5000 psi)
Burst Pressure	>35 x FS <= 6 bar (100 psi); >20 x FS >=60 bar (1000 psi); >5 x FS <= 400 bar (6000 psi)
Fatigue Life	Designed for more than 100 million FS cycles
Performance	
Long Term Drift	0.2% FS/year (non-cumulative)
Accuracy	0.25 % FS typical (optional 0.15% FS)
Thermal Error	1.5% FS typical (optional 1% FS)
Compensated Temperatures	-20° to 80° C (-5° to 180° F)
Operating Temperatures	-40° to 125° C (-22° to 260° F) for elec. codes A, B, C, 1 -20° to 80° C (-5° to 180° F) for elec. codes 2, D, G, 3 -20° to 50° C (-5° to 125° F) for elec. codes F,M, P Amplified units >100°C maximum 24 Vdc supply
Zero Tolerance	1% of span
Span Tolerance	1% of span
Mechanical Configuration	
Pressure Port	see ordering chart
Wetted Parts	17-4 PH Stainless Steel
Electrical Connection	see ordering chart
Enclosure	316 ss, 17-4 PH ss IP65 for elec. codes A, B, C, D, G, 1, 2, 3 IP67 for elec. code "F" IP68 for elec. codes M, P IP30 for elec. code "3" with flying leads
Vibration	35g peak sinusoidal, 5 to 2000 Hz
Acceleration	100g steady acceleration in any direction 0.032% FS/g for 1 bar (15 psi) range decreasing logarithmically to 0.0007% FS/g for 400 bar (6000 psi) range.
Shock	Withstands free fall to IEC 68-2-32 procedure 1
Approvals	CE
Weight	approx. 100 grams (additional cable; 75 g/m)

Individual Specifications

Millivolt Output units	
Output	100 mV +/-1 mV
Supply Voltage (Vs)	10 Vdc (15 Vdc max.) Regulated
Bridge resistance	2600-6000 ohms
Voltage Output units	
Output	see ordering chart
Supply Voltage (Vs)	1.5 Vdc above span to 35 Vdc @ 6 mA
Supply Voltage Sensitivity	0.01% FS/Volt
Min. Load Resistance	(FS output / 2) Kohms
Current Consumption	approx 6 mA at 7.5V output
Current Output units	
Output	4-20 mA (2 wire)
Supply Voltage (Vs)	24 Vdc, (7-35 Vdc)
Supply Voltage Sensitivity	0.01% FS/Volt
Max. Loop Resistance	(Vs-7) x 50 ohms



Connection Code		mV Units				Current units (4-20mA)				Voltage units			
		IN+	OUT+	OUT-	IN-	(+)	(-)	EARTH	IN+	COM	OUT+	EARTH	
A, B, G	"DIN"	PIN	1	2	3	E	1	2	4	1	2	3	4
C	"10-6 Bayonet"	PIN	A	B	C	D	A	B	E	A	C	B	E
D	"cable"		R	Y	BL	G	R	BK	DRAIN	R	BK	W	DRAIN
F	"IP 67 cable"		R	Y	BL	G	R	BL	DRAIN	R	W	Y	DRAIN
M, P	"Immersible"		R	Y	BL	W	R	BL	DRAIN	R	W	Y	DRAIN
1	"8-4 Bayonet"	PIN	A	B	C	D	A	B	D	A	C	B	D
2	"cable"		R	W	G	BK	R	BK	DRAIN	R	BK	W	DRAIN
3	"conduit & cable"		R	W	G	BK	R	BK	DRAIN	R	BK	W	DRAIN

Cable Legend:
 R = Red
 BL = Blue
 BK = Black
 W = White
 G = Green
 Y = Yellow

How to Order

Use the **bold** characters from the chart below to construct a product code

2200 B G A60 01 A 3 U A

Series **2200** **2600**

Output
A - 100 mV **C** - 1-6V **J** - 0.5-5.5V
B - 4-20mA **D** - 1-11V **R** - 0-5V
H - 1-5V **S** - 0-10V

Pressure Datum
A* - Absolute **G** - Gauge
 *Max absolute range is 25 bar.

Pressure Range - bar
A10 - 0-1 **B25** - 0-25 **Vac** = -1 bar
A16 - 0-1.6 **B40** - 0-40 **1A0** - Vac-0
A25 - 0-2.5 **B60** - 0-60 **1A6** - Vac-0.6
A40 - 0-4 **C10** - 0-100 **2A5** - Vac-1.5
A60 - 0-6 **C16** - 0-160 **4A0** - Vac-3
B10 - 0-10 **C25** - 0-250 **6A0** - Vac-5
B16 - 0-16 **C40** - 0-400 **1B0** - Vac-9
1B6 - Vac-15
2B5 - Vac-24
4B0 - Vac-39

Pressure Range - psi
F15 - 0-15 **G60** - 0-600 **Vac** = -15 psi
F30 - 0-30 **H10** - 0-1,000 **1F5** - Vac-0
F60 - 0-60 **H15** - 0-1,500 **3F0** - Vac-15
G10 - 0-100 **H20** - 0-2,000 **6F0** - Vac-45
G15 - 0-150 **H30** - 0-3,000 **1G0** - Vac-85
G20 - 0-200 **H40** - 0-4,000 **1G5** - Vac-135
G30 - 0-300 **H50** - 0-5,000 **2G0** - Vac-185
G50 - 0-500 **H60** - 0-6,000 **3G0** - Vac-285

Pressure Port
01 - G1/4 External **08** - 1/8-27 NPT External
02 - 1/4-18 NPT External **09** - G1/8 Internal
03 - G1/2 Manometer **00** - G1/4 Internal
04 - 7/16-20UNF to SAE J514 **0A** - R1/4 External
05 - G1/4 Ext. Soft Seal **19** - Nose Cone (2600 Only)

Electrical Connection
2200 Series
A - 4 PIN DIN (Micro) Mating Connector Supplied
B - 4 PIN DIN (Micro) Mating Connector Not Supplied
2 - Cable Nema 4 USA
D - Cable Weatherproof IP65 Europe
F - Cable Gland Metal IP67

2600 Series
C - Fixed Plug Size 10-6 Mating Plug Not Supplied
G - Fixed Plug To DIN 43650 Mating Plug Supplied
M - Moulded Cable Immersible Max. (See Note 1)
P - Moulded Detachable Immersible Cable (See note 1/2)
1 - Fixed Plug Size 8-4 Mating Plug Not Supplied
3 - Conduit Connector 1/2NPT Ext. 1M Cable (See Note 2)

Performance Code
 Accuracy/Thermal
A - .25%/1.5%
B - .15%/1.0%

Cable Length
U - No Cable Fitted (See Notes 1 and 2)
D - 1 Metre (3 feet)
E - 3 Metres (9 feet)
F - 5 Metres (16 feet)
G - 10 Metres (32 feet)

Apparatus Protection
2 - mV Only Transient Protection CE Mark
3 - Amplified Only RFI Protected CE Mark

Notes:

- Where electrical connection -**M** is specified, customer must select cable length from Table 1.
- Where electrical connection -**3** or **P** and cable length -**U** occur in part number, the unit will be supplied with flying leads (IP30).
- Additional Pressure Ranges are available. Please consult factory.


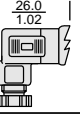
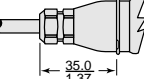
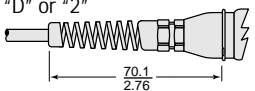
Table 1 - Cable Units

(2600 Series) (2200 Series select "U" through "G")

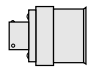
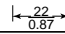
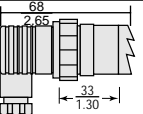
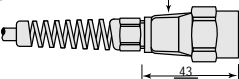
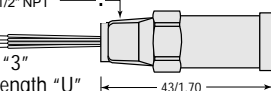
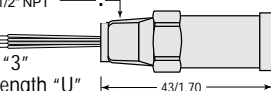
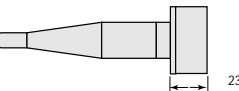
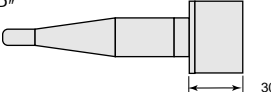
Code	Length (M)	Code	Length (M)	Code	Length (M)	Code	Length (M)
U	No Cable Fitted	F	5	K	25	P	75
		G	10	L	30	O	100
D	1	H	15	M	40	R	125
E	3	J	20	N	50	S	150

Dimensions

2200 Series

Mini 4 Pin - No Connector
Code "B" 
Mini 4 Pin - With Connector
Code "A"  26.0 / 1.02
IP67 Cable (Waterproof)
Code "F"  35.0 / 1.37
IP65 or NEMA4 Cable
Code "D" or "2"  70.1 / 2.76

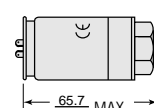
2600 Series

10-6 or 8-4 Mil-C Connector
10-6 Code "C" 
8-4 Code "1"  22 / 0.87
Large DIN 43650 Plug
Code "G"  68 / 2.65, 33 / 1.30
Conduit Connector with Cable
Code "3" 1/2" NPT  43 / 1.70
Conduit Connector with Flying Leads
1/2" NPT  43 / 1.70
Code "3" with length "U" 
Moulded, Immersible Cable
Code "M"  23
Detachable Moulded, Immersible Cable
Code "P"  30

mV Gauge/Absolute Amplified Gauge



Amplified Absolute

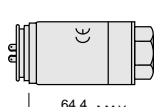


Maximum diameter 27.3 mm (1.07")

mV Gauge/Absolute Amplified Gauge



Amplified Absolute

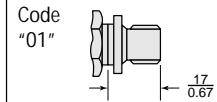


Maximum diameter 27.3 mm (1.07")

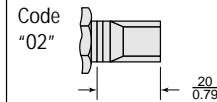
G 1/4 Internal



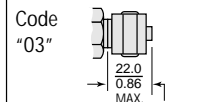
G 1/4 External



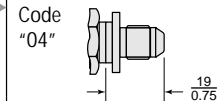
1/4 - 1/8 NPT



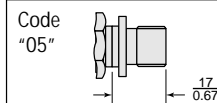
G 1/2 Manometer



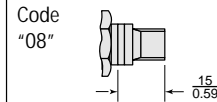
7/16-20 UNF-2A



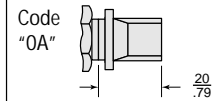
G 1/4 Soft Seal



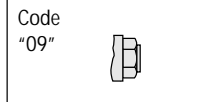
1/8-27 NPT



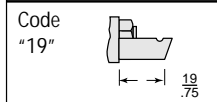
R 1/4



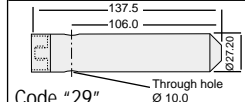
G 1/8 Internal



Nose Cone - Black Acetal



Nose Cone Sink Weight



Code "29"