

INCREMENTAL ENCODER MyInc

EINH100

- Industry Standard Size Ø 100 mm
- IP 65 Protection, Option IP67
- 5 to 30 Volts, RS 422 Compatible
- <300 kHz Maximum Frequency
- Resolutions up to 10000 cpt



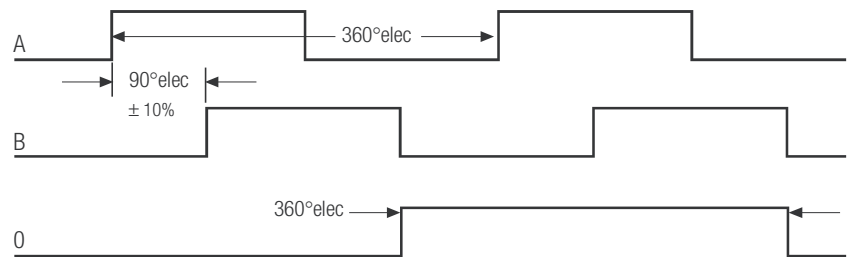
Electrical Specifications

Supply Voltage	5-30 VDC, 5 VDC
Current Consumption	<60 mA (24 VDC)
Output Circuit	Push-Pull, RS 422A (line driver)
Impulse Frequency	<300 kHz (max.)
Logic Level (high)	V _{cc} - 0.7 Volt
Logic Level (low)	0.25 Volt (max.)
Short Circuit Protection	100 %

Mechanical Specifications

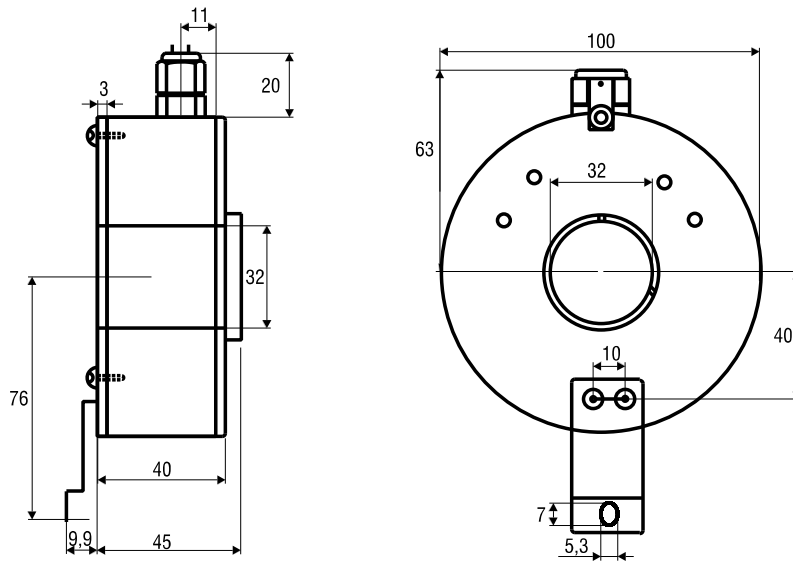
Cover	Aluminium
Body	Aluminium
Shaft	Stainless steel
Speed	10000 RPM (max.)
Torque	< 0.025 Nm (IP 67)
Loading	Axial 140 N, Radial 240 N
Protection	IP 65, Option IP 67
Temperature	-20 °C . . . +85 °C
Weight	900 g

Output Signals



A Leads B in the CW Direction (facing shaft)
Complimentary channel also available





Connections

Function	Cable Colours, 3R
0 Volt	brown
+ Volt	white
A	green
B	yellow
0	grey
\bar{A}	red
\bar{B}	pink
$\bar{0}$	blue

ORDERING CODE

EINH100

Shaft Ø

26 = 26 mm
28 = 28 mm
30 = 30 mm
32 = 32 mm
38 = 38 mm
40 = 40 mm
42 = 42 mm

Output Circuit

A5 = Push Pull
4.75 to 30 VDC
A2 = Line Driver 5 VDC,
RS 422
A9 = 8-30 VDC
Line Driver 5 VDC,
RS422

Output Signals

9 = A+B+0+Compliments

Connection

3R = shielded cable, 2 m,
radial output

Resolution

1024, 2000, 2048, 2500,
4000, 4096, 5000, 8000,
8192, 10000