

INCREMENTAL ENCODER MyInc

EINH90

- Industry Standard Size Ø 90 mm
- IP 62 Protection
- 5 to 26 Volts, RS 422 Compatible
- <100 kHz Maximum Frequency
- Resolutions up to 4096 cpt



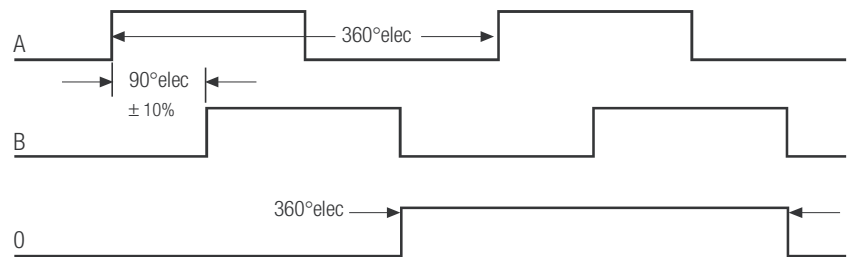
Electrical Specifications

Supply Voltage	5-26 VDC, 5 VDC
Current Consumption	<60 mA (24 VDC)
Output Circuit	Push-Pull, RS 422A (line driver)
Impulse Frequency	<100 kHz (max.)
Logic Level (high)	Vcc - 0.7 Volt
Logic Level (low)	0.25 Volt (max.)

Mechanical Specifications

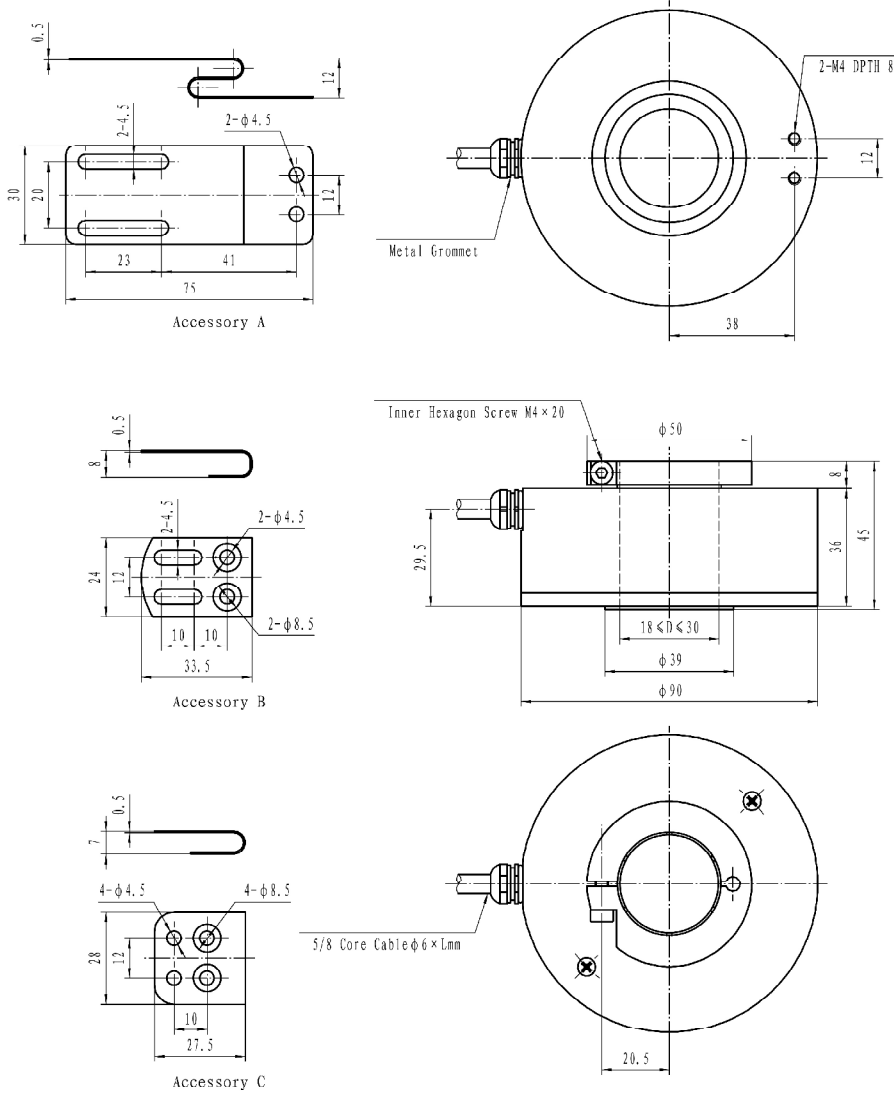
Cover	Aluminium
Body	Aluminium
Shaft	Stainless steel
Speed	6000 RPM (max.)
Torque	< 0.025 Nm
Loading	Axial 20 N, Radial 20 N
Protection	IP 62
Temperature	-20 °C . . . +85 °C
Weight	700 g

Output Signals



A Leads B in the CW Direction (facing shaft)
Complimentary channel also available





Connections

Function	Cable Colours, 3A, 3R
0 Volt	black
+ Volt	red
A	green
B	white
0	yellow
\bar{A}	brown (only output A2)
\bar{B}	grey (only output A2)
0	orange (only output A2)

ORDERING CODE

