

level measurement

level switch HIU 422

features

- level switch for allfluid types
- measuring principle oscillation fork
- **robust design with connection head**
- definated position of the forks by indication on the outside
- universal voltage design

technical specifications

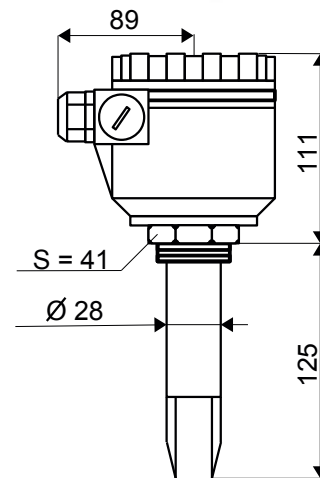
- medium-tangent components (forks) made of stainless steel 1.4571 or PFA-coated
- different process connections
- electrical connection with connection head made of aluminium or plastics
- bolting 2 x M 20 x 1,5
- protection class IP67
- auxiliary supply 20...60 VDC or 20-255 VAC 50/60 Hz
- relay output 1 250VAC, 8A // relay output 2 250VAC 6A
- switching function full/empty by circuit breaker
- temperature range -40...+130°C
- max. operating pressure 6 bar, other types on request
- with switching status LED, bicolored

application ares

- fill level detection in cases and pipelines
- protection against dry running
- protection against overfilling
- empty-/full announcement



HIU422-7...



HIU422-7-1-B-1...

order-code HIU 422...

order example: HIU422-7-1-C10-1-C

connection head

- 1 aluminium head standard coated
- 7 head made with plastics PBT

design of oscillation forks

- 1 stainless steel buffed
- 2 stainless steel glossy finish
- 3 PFA-coated

length of oscillation forks

- A short design (length of the forks 39 mm)
- B standard design (length incl. thread 128 mm)
- CXX extended design (length up to 3 m possible), please specify length in 100mm steps instead of XX

process connection

- 1 G1" screw-in thread
- 2 triclamp 1 1/2"
- 3 triclamp 2"
- 4 milk pipe screwing DN40 DIN11851
- 5 milk pipe screwing DN50 DIN11851

output electronic system

- C 1 x relay output
- D 2 x relay output