

# INCREMENTAL ENCODER MyInc

# EINS90

- Industry Standard Size Ø 90 mm
- IP 54 Protection, Option IP64
- 5 to 26 Volts, RS 422 Compatible
- <100 kHz Maximum Frequency
- Resolutions up to 6000 cpt



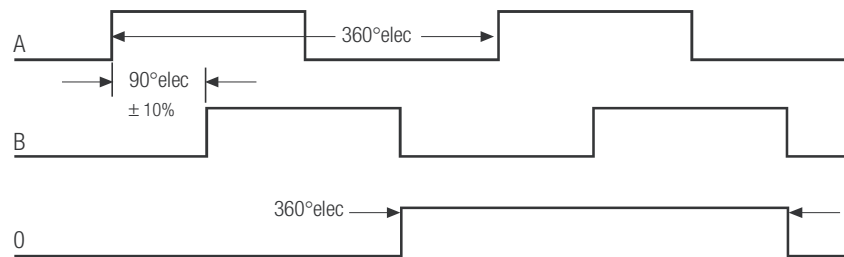
## Electrical Specifications

Supply Voltage	5-26 VDC, 5 VDC
Current Consumption	<60 mA (24 VDC)
Output Circuit	Push-Pull, RS 422A (line driver)
Impulse Frequency	<100 kHz (max.)
Logic Level (high)	Vcc - 0.7 Volt
Logic Level (low)	0.25 Volt (max.)

## Mechanical Specifications

Cover	Aluminium
Body	Aluminium
Shaft	Stainless steel
Speed	6000 RPM (max.)
Torque	< 0.025 Nm
Loading	Axial 30 N, Radial 30 N
Protection	IP 54, Option IP 64
Temperature	-20 °C . . . +85 °C
Weight	1500 g

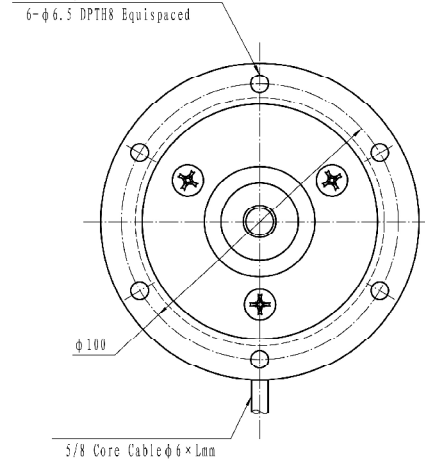
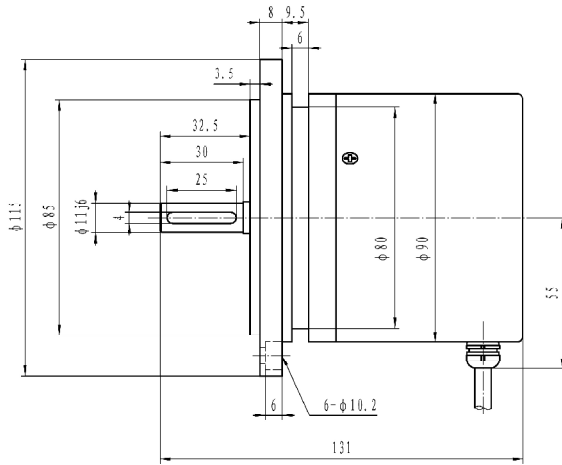
## Output Signals



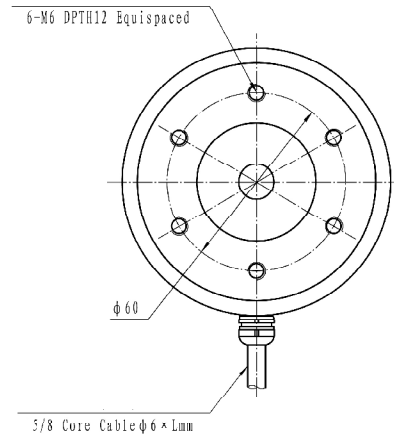
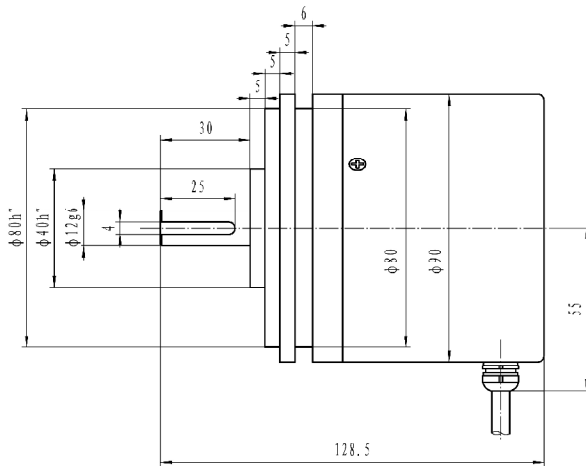
A Leads B in the CW Direction (facing shaft)  
Complimentary channel also available



EINS9011



EINS9012



## Connections

Function	Cable Colours, 3A, 3R
0 Volt	black
+ Volt	red
A	green
B	white
0	yellow
$\bar{A}$	brown (only output A2)
$\bar{B}$	grey (only output A2)
$\bar{0}$	orange (only output A2)

## ORDERING CODE

EINS90	Shaft Ø	Output Circuit	Output Signals	Connection	Resolution
	11 = 11 mm 12 = 12 mm	A5 = Push Pull 5 to 26 VDC  A2 = Line Driver 5 VDC, RS 422	9 = A+B+0	3A = shielded cable, 2 m, axial output  3R = shielded cable, 2 m, radial output	100, 120, 200, 300, 360, 400, 500, 550, 600, 720, 800, 900, 960, 1000, 1024, 1200, 1440, 1500, 1600, 1800, 2000, 2048, 2400, 2500, 3000, 3600, 4000, 4096, 5000, 6000

