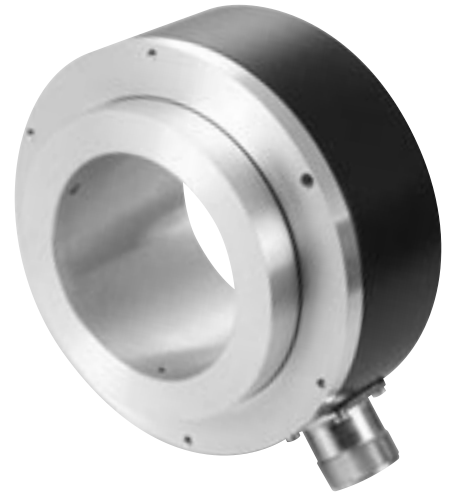


# INCREMENTAL HOLLOW SHAFT ENCODER

# AINH 100

- Heavy duty hollow shaft encoder
- Hollow shaft 40-65 mm
- 25000 PPR Maximum
- 4.75 to 30 Volts, RS 422 Compatible
- 300 kHz Maximum Frequency
- Possibility of double or triple mounting with incremental, absolute or tachometer encoders
- Short circuit protection



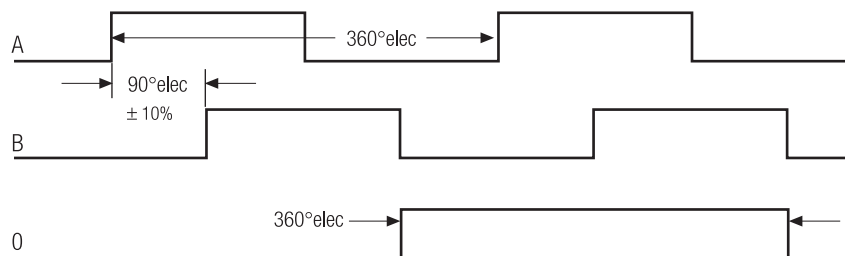
## Electrical Specifications

Supply Voltage	4.75-30 V DC
Current Consumption	40 mA (max.)
Output Circuit	Push-Pull, RS 422A
Impulse Frequency	300 kHz (max.)
Logic Level (high)	V <sub>CC</sub> - 0.7 Volt
Logic Level (low)	0.25 Volt (max.)

## Mechanical Specifications

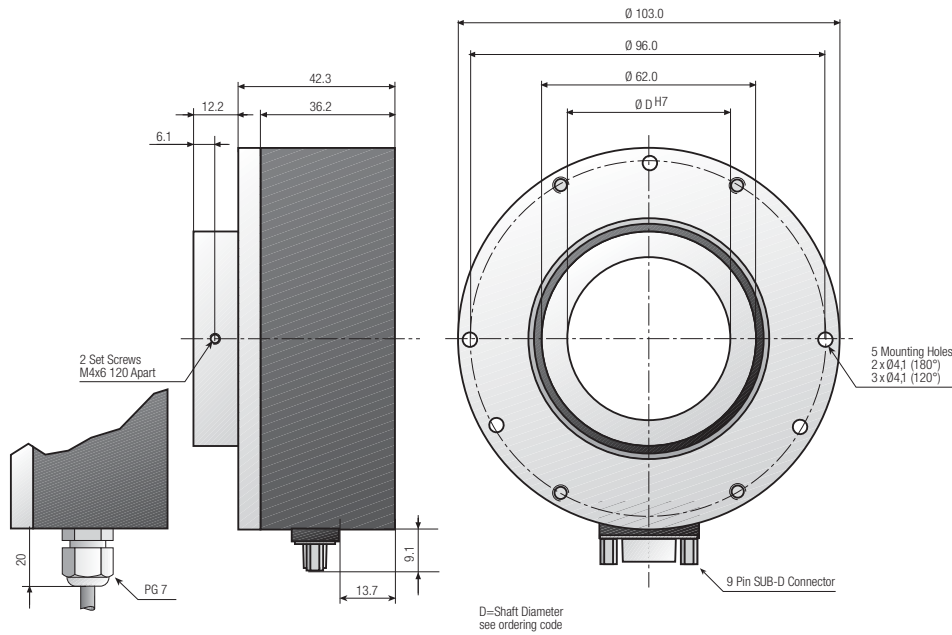
Cover	Aluminium
Body	Aluminium
Hollow shaft	Stainless steel
Speed	4000 RPM (max.)
Torque	> 0.2 Nm
Loading	Axial 60 N, Radial 80 N
Protection	IP 54
Temperature	-20° . . . +70° C +100° C Optional
Weight	570 g

## Output Signals



A Leads B in the CW Direction (facing shaft)  
Complimentary channel also available





## Connections

Function	Cable Colour Code	9 Pin Connector	12 Pin Connector
0 Volt	white	1	1
+ Volt	brown	2	2
A	green	3	3
B	yellow	4	4
0	grey	5	5
$\bar{A}$	pink	6	6
$\bar{B}$	blue	7	7
$\bar{0}$	red	8	8

## ORDERING CODE

AINH 100

Shaft Size D  
 26 = 26 mm  
 38 = 38 mm  
 44 = 44 mm

Output Circuit  
 A7 = Push Pull  
 4.75 to 30 VDC  
 A2 = Line Driver 5 V DC,  
 RS 422

Output Signals  
 9 = A+B+0  
 +Compliments

Connection  
 3R = shielded cable, 2 m,  
 radial output  
 6R = 12 pin connector,  
 radial output, cw  
 9R = 9 pin Sub D connector,  
 radial output

Resolution