

- Hollow shaft encoder for direct installation on large electric motors
- Maximum mechanical and electrical safety
- Highly interference-resistant when used with frequency converters
- Meets protection class IP 54
- Hollow shaft \varnothing max. 72 mm



Mechanical characteristics:

Speed:	max. 800 min ⁻¹
Starting torque:	1,5 Ncm
Radial load capacity of shaft*:	200 N
Axial load capacity of shaft**:	100 N
Weight:	1700 ... 2500 g
Protection acc. to EN 60 529:	IP 54
Working temperature:	-10 °C ... +70 °C
Shaft:	stainless steel
Shock resistance acc. to DIN-IEC 68-2-27:	1000 m/s ² (6 ms)
Vibration resistance acc. to IEC 68-2-6:	50 m/s ² (10 ... 2000 Hz)

Available resolution:

1024, 2500

Electrical characteristics:

Output circuit:	RS 422	Push-pull
Supply voltage:	4,75 ... 5,5 VDC	10 ... 30 VDC
Power consumption (no load) without inverted signal:	-	-
Power consumption (no load) with inverted signals:	max. 70 mA	max. 70 mA
Permissible load:	max. 40 mA	max. 40 mA
Pulse frequency:	max. 200 kHz	max. 200 kHz
Signal level high at 20 mA:	min. 2,5 V	min. $U_B - 2,5$ V
Signal level low at 20 mA:	max. 1,2 V	max. 2,5 V
Short circuit proof outputs:	no	yes

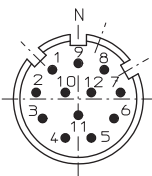
Terminal assignment

Signal:	0V	+U _B	A	\bar{A}	B	\bar{B}	0	$\bar{0}$	Shield
12 pin plug Pin	10	12	5	6	8	1	3	4	PH ¹⁾
Cable colour:	WH	BN	GN	RD	YE	BL	GY	PK	

¹⁾PH = Shield is attached to connector housing

Top view of mating side, male contact base:

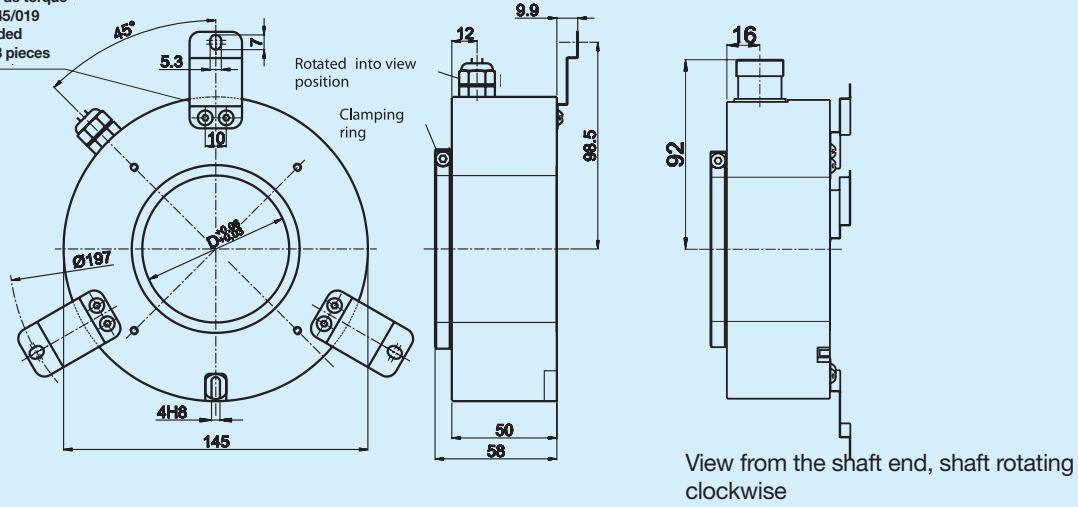
12 pin plug



Dimensions

Connector, 12-pin.

Spring plate as torque support 9445/019
Recommended quantity of 3 pieces



ORDERING CODE

DINH145

Shaft Ø

48 = 48 mm
55 = 55 mm
65 = 65 mm
72 = 72 mm
Other diameters on request.

Output circuit and supply voltage

A5 = Push-pull (with inverted signal)
10 ... 30 V supply voltage

A2 = RS422 (with inverted signal)
+ Alarm, 5 V supply voltage

Output signals

9 = \bar{A} , A, \bar{B} , B, $\bar{0}$, 0

Connection

Cable
3R = shielded cable radial output
8R = 12 pin connector, radial output, ccw

Resolution

1024
2500
Other PPRs on request.