



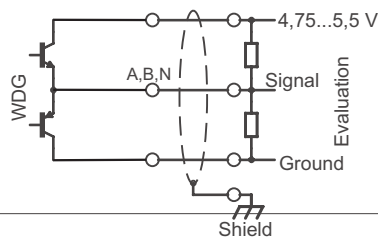
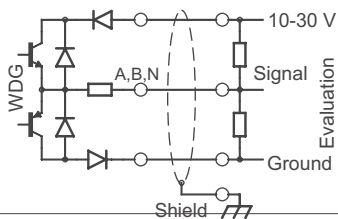
- **Extremely rugged and economical encoder with short measurements**
- **Easy mounting**
- **Meets protection class IP68**

Application fields:

Machines for labelling inspection and filling, industrial elevators also for outdoor use, belt scale in a quarry, automatic car wash machines and crane systems.

Electrical Data:

	G24 / I24	G05 / I05
Design according to	DIN VDE0160	DIN VDE0160
Power supply:	10 - 30 VDC	4,75 - 5,5 VDC
Current consumption:	max. 70 mA	max. 70 mA
Channels	see pulse diagram	
Output:	push-pull	push-pull
Load:	max. 40 mA	max. 40 mA
Signal level:	at 20 mA	at 20 mA
	$H > U_{ref} - 2,5 \text{ VDC}$	$H > 2,5 \text{ VDC}$
	$L < 2,5 \text{ VDC}$	$L < 1,2 \text{ VDC}$
Pulse frequency:	max. 200 kHz	max. 200 kHz
Circuit protection:	yes	no
Early-warning output:	conducting when defective	
Cable length:	max. 100 m	max. 100 m



Specifications

Available Pulses (Other PPRs on request)

9, 10, 15, 20, 25, 28, 30, 40, 50, 60, 90, 100, 120, 125, 128, 150, 160, 180, 200, 235, 250, 300, 314, 318, 360, 400, 500, 600, 625, 635, 720, 900, 1000, 1024, 1080, 1200, 1250, 1500

Mechanical Data

Housing	
- Servo flange:	Aluminium incl. Nut M20 x 1,5
- Housing	Aluminium
Shaft	
- Material:	Stainless steel
- Loading on shaft-End:	max. 20 N radial max. 10 N axial
- Starting torque:	ca. 1,2 Ncm at ambient temperature

Bearings	
- Type:	2 precision ball-Bearings
- Service life:	10^9 U bei 100% of full rated shaft load 10^{10} revs. at 40% 10^{11} revs. At 20%
Operating speed:	6.000 rpm
Weight:	approx. 215 g

Connection:	Shielded cable or connector
-------------	-----------------------------

Anzugsmoment Mutter:	max. 10 Nm
----------------------	------------

Optics

Light source:	IR - LED
Service life:	typ. 100.000 hrs.
Scanning:	differential

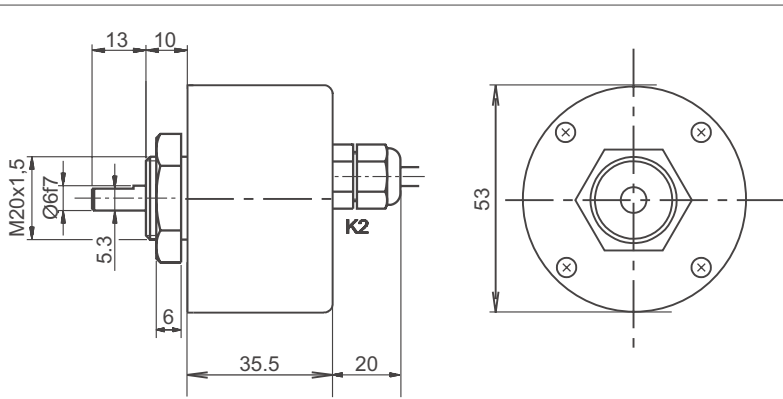
Accuracy

Quadrature phasing:	$90^\circ + 7,5\%$
Pulse on/off ratio:	$50\% + 7\%$

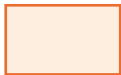
Environmental Data

Measured mounted and housing grounded.

ESD (DIN EN 61000-4-2):	8 kV
Burst (DIN EN 61000-4-4):	2 kV
Protection rating:	Ip68 (EN 60529)
Vibration (DIN EN 60068-2-6):	50 m/s^2 (10...2000 Hz)
Shock (DIN EN 60068-2-27):	1000 m/s^2 (6 ms)
Operating temperature:	$-10 \dots +70^\circ \text{C}$
Storage temperature:	$-30 \dots +80^\circ \text{C}$



ORDERING CODE



DINS58



Pulses per revolution

s. page 1



Channels

ABN



Output circuit

G24 = 10–30 VDC

G05 = 5 VDC

Only for K3, L3, S5:

I24 = 10–30 VDC (inv.)

I05 = 5 VDC (inv.)



Electrical connections

Cable

K3 = radial, 2 m, shield not connected (standard)

L3 = radial, 2 m, shield connected to encoder housing

Connector

S3 = 7-pin. radial

S5 = 12-pin. radial



Meyer Industrie-Electronic GmbH – MEYLE

Carl-Bosch-Straße 8
49525 Lengerich/Germany

Tel.: (+49) 05481-9385-0
Fax: (+49) 05481-9385-12

Internet: www.meyle.de
E-Mail: sales@meyle.de