

INCREMENTAL ENCODER MyInc

AINS90 AINS90S

- Heavy duty standard encoder
- Ø 90 mm synchro flange or Ø 115 mm tachoflange
- Applications: steel and paper mills, food industry, windmills

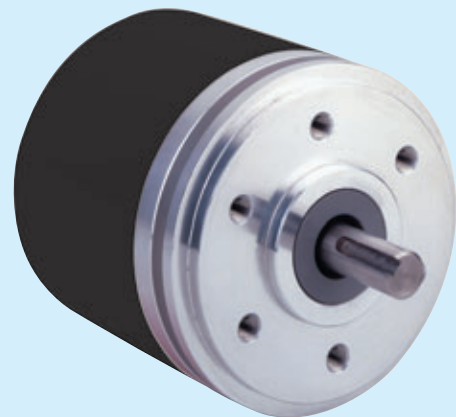


SPECIFICATIONS

	<u>AINS90</u>	<u>AINS90S</u>		
• COVER	Zinc alloy	Zinc alloy	• MAX. SPEED	6 000 min ⁻¹
• BODY	Aluminium	Stainless steel	• RADIAL SHAFT LOADING	200 N
• WEIGHT	1.3 kg	3 kg	• AXIAL SHAFT LOADING	100 N
• SHAFT	Stainless steel		• INERTIA	150 gcm ²
• TORQUE	1 Ncm		• PROTECTION	IP 66
• TEMPERATURE	-20 °C ... +85 °C			



AINS9011



AINS9012

Terminal assignment

Signal:	OV	+U _B	A	\bar{A}	B	\bar{B}	0	$\bar{0}$	Shield
12 pin plug cw (6R) Pin:	1	2	3	6	4	7	5	8	connector body
12 pin plug cw (8R) Pin:	10 + 11	2 + 12	8	1	5	6	3	4	connector body
Cable colour:	WH	BN	GN	PK	YE	BU	GY	RD	general shielding



Meyer Industrie-Electronic GmbH – MEYLE

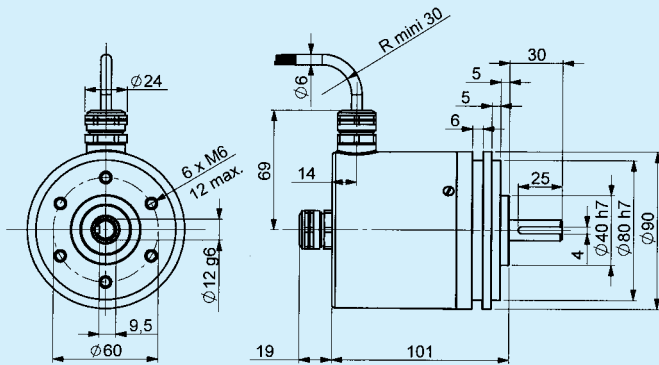
Carl-Bosch-Straße 8 Tel.: +49 54 81-9385-0 Internet: www.meyle.de
49525 Lengerich/Germany Fax: +49 54 81-9385-12 E-Mail: sales@meyle.de

INCREMENTAL ENCODER MyInc

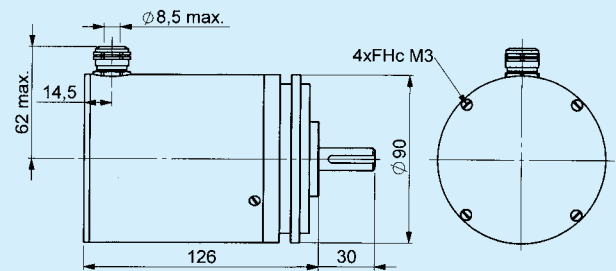
DIMENSIONS

AINS90 AINS90S

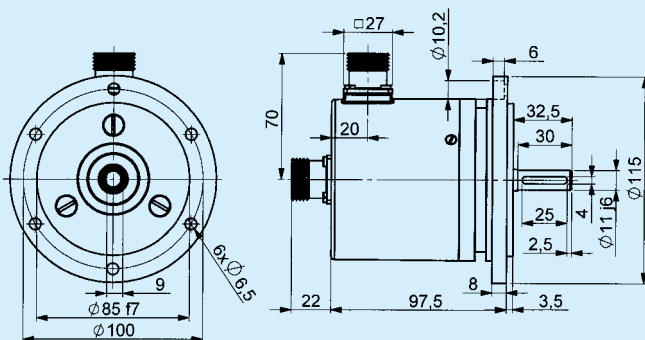
AINS912
3A, 3R



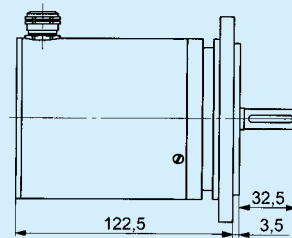
AINS912
with terminal box (BR)



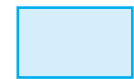
AINS911
5A, 5R, 6A,
6R, 8A, 8R



AINS911
with terminal box (BR)



ORDERING CODE



AINS90
AINS90S



Shaft Ø

11 = 11 mm
12 = 12 mm
C1 = 11 mm
Shaft length : 22,5 mm
C2 = 12 mm
Shaft length : 25 mm



Output circuit

2 = 5 V RS422
3 = 15-30 V Driver 12 V
5 = 11-30 V Driver
8 = 11-30 V RS422
T = 11-30 V Transistor
H = 11-30 V 150 mA



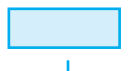
Output signals

9= A, \bar{A} , B, \bar{B} , 0, $\bar{0}$
7= A, \bar{A} , B, \bar{B}
5= A, \bar{A}
A= Index gated on A
N= Index ungated



Connection

3A = shielded cable, axial output
3R = shielded cable, radial output
5A = 12 pin connector, axial output, cw
5R = 12 pin connector, radial output, cw
6A = 12 pin connector, axial output, cw
6R = 12 pin connector, radial output, cw
8A = 12 pin connector, axial output, ccw
8R = 12 pin connector, radial output, ccw



Resolution

10000 max.



Meyer Industrie-Electronic GmbH - MEYLE

Carl-Bosch-Straße 8

49525 Lengerich/Germany

Tel.: +49 54 81-9385-0

Fax: +49 54 81-9385-12

Internet: www.meyle.de

E-Mail: sales@meyle.de