

INCREMENTAL ENCODER MyInc

EINS58

- Industry Standard Size Ø 58 mm
- IP 65 Protection, Option IP67
- 5 to 30 Volts, RS 422 Compatible
- <300 kHz Maximum Frequency
- Resolutions up to 25000 cpt



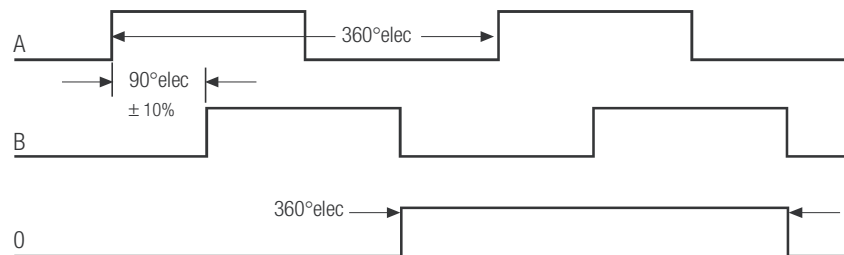
Electrical Specifications

Supply Voltage	5-30 VDC, 5 VDC
Current Consumption	<60 mA (24 VDC)
Output Circuit	Push-Pull, RS 422A (line driver)
Impulse Frequency	<300 kHz (max.)
Logic Level (high)	Vcc - 0.7 Volt
Logic Level (low)	0.25 Volt (max.)
Short Circuit Protection	100 %

Mechanical Specifications

Cover	Aluminium
Body	Aluminium
Shaft	Stainless steel
Speed	10000 RPM (max.)
Torque	< 0.025 Nm
Loading	Axial 140 N, Radial 240 N
Protection	IP 65, Option IP 67
Temperature	-20 °C . . . +85 °C
Weight	330 g

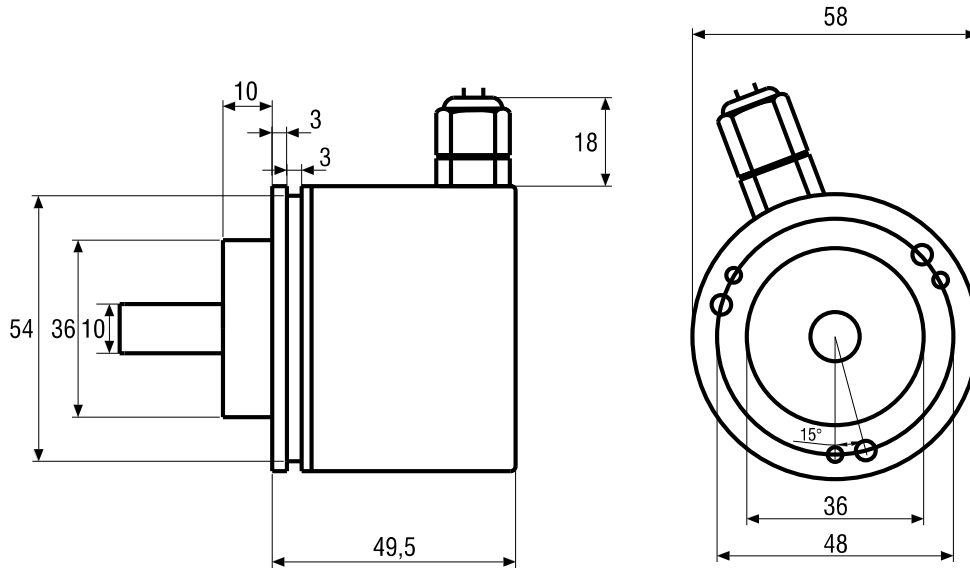
Output Signals



A Leads B in the CW Direction (facing shaft)
Complimentary channel also available



Meyer Industrie-Electronic GmbH - MEYLE
 Carl-Bosch-Straße 8 Tel.: +49 54 81-93 85-0 Internet: www.meyle.de
 49525 Lengerich/Germany Fax: +49 54 81-93 85-12 E-Mail: sales@meyle.de



Connections

Function	Cable Colours, 3A, 3R
0 Volt	brown
+ Volt	white
A	green
B	yellow
0	grey
\bar{A}	red
\bar{B}	pink
$\bar{0}$	blue

ORDERING CODE

EINS58	Shaft Ø	Output Circuit	Output Signals	Connection	Resolution
	06 = 6 mm 08 = 8 mm 10 = 10 mm	A5 = Push Pull 5 to 30 VDC A2 = Line Driver 5 VDC, RS 422 A9 = 5-30 VDC Line Driver 5 VDC, RS422	9 = A+B+0+Compliments	3A = shielded cable, 2 m, axial output 3R = shielded cable, 2 m, radial output	1 to 128, 25, 50, 100, 200, 250, 250, 300, 360, 400, 500, 512, 600, 720, 800, 900, 1000, 1024, 1250, 1440, 2000, 2048, 2500, 3000, 3600, 4000, 4096, 5000, 6000, 10000, 12500, 16384, 20000, 25000

