

INCREMENTAL ENCODER MyInc

- Heavy duty hollow shaft encoder.
- Adaptation of the diameter by reduction hubs in aluminium or in composite RDP (thermal and electrical insulation).
- Possibility of double or triple mounting with incremental, absolute or tachoencoders.



AINH90 AINH90S

SPECIFICATIONS

	<u>AINH90</u>	<u>AINH90S</u>
• COVER	Zinc alloy	Stainless steel
• BODY	Aluminium	Stainless steel
• SHAFT	Stainless steel	Stainless steel
• TORQUE	2.5 Ncm	2.5 Ncm
• INERTIA	500 gcm ²	500 gcm ²
• AXIAL SHAFT LOADING	50 N	50 N
• RADIAL SHAFT LOADING	80 N	80 N
• MAX. SPEED	4 500 min ⁻¹	4 500 min ⁻¹
• PROTECTION	IP 65	IP 65
• TEMPERATURE	-20 °C ... +85 °C	-20 °C ... +85 °C
• WEIGHT	850 g	1 800 g



Terminal assignment

Signal:	OV	+U _B	A	Ā	B	B̄	0	0̄	Shield
12 pin plug cw (6R) Pin:	1	2	3	6	4	7	5	8	connector body
12 pin plug cw (8R) Pin:	10 + 11	2 + 12	8	1	5	6	3	4	connector body
Cable colour:	WH	BN	GN	PK	YE	BU	GY	RD	general shielding



Meyer Industrie-Electronic GmbH – MEYLE

Carl-Bosch-Straße 8
49525 Lengerich/Germany

Tel.: +49 54 81-9385-0

Fax: +49 54 81-9385-12

Internet: www.meyle.de

E-Mail: sales@meyle.de

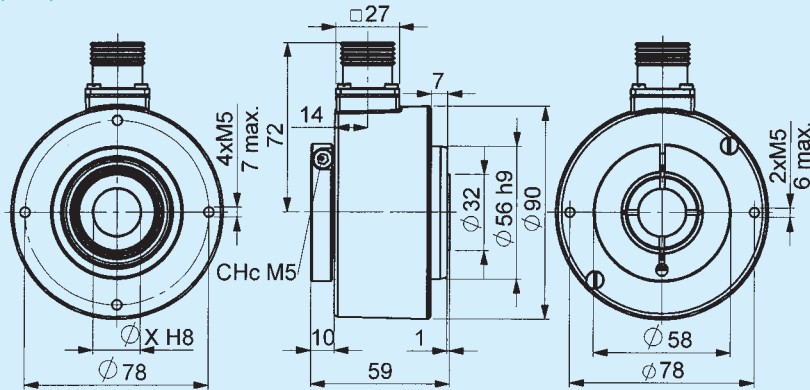
INCREMENTAL ENCODER MyInc

DIMENSIONS

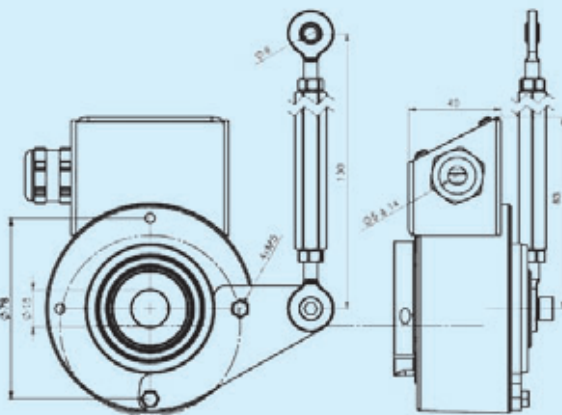
AINH90 AINH90S

AINH90

5R, 6R, 8R

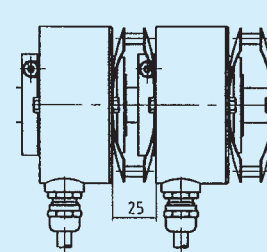


AINH90 . . . BR + DAC9320

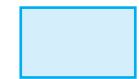


On request: Double mounting

2 x AINH90 . . . 3R + DAC9445/004



ORDERING CODE



AINH90
AINH90S

with
hub

without
hub



Shaft \varnothing

12 = 12 mm
20 = 20 mm
25 = 25 mm

30 = 30 mm
32 = 32 mm



Output circuit

2 = 5 V RS422
3 = 15-30 V Driver 12 V
5 = 11-30 V Driver
8 = 11-30 V RS422
T = 11-30 V Transistor
H = 11-30 V, 150 mA



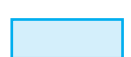
Output signals

9= \bar{A} , A, \bar{B} , B, $\bar{0}$, 0
7= \bar{A} , A, \bar{B} , B
5= \bar{A} , A
A= Index gated on A
N= Index ungated



Connection

3R = shielded cable,
radial output
8R = 12 pin connector,
radial output, ccw
6R = 12 pin connector,
radial output, cw
5R = 12 pin connector,
radial output, cw
BR = terminal box, radial



Resolution

10000 max.



Meyer Industrie-Electronic GmbH - MEYLE

Carl-Bosch-Straße 8
49525 Lengerich/Germany

Tel.: +49 54 81-9385-0
Fax: +49 54 81-9385-12

Internet: www.meyle.de
E-Mail: sales@meyle.de