

- small housing diameter
- usable in harsh conditions
- IP 65, optional IP 67
- High shaft load radial 80 N, axial 50 N



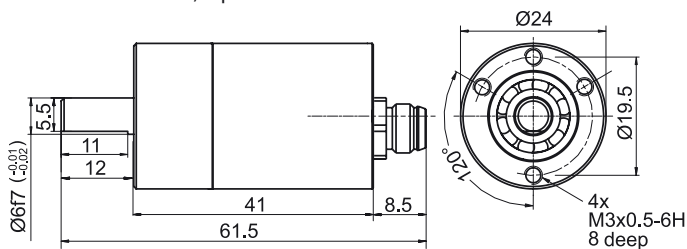
Electrical Specifications

Supply Voltage	4.75-5.5 VDC or 5-30 VDC		
Current Consumption	40 mA (max.)		
Output Circuit	Push-Pull: 1-128, 256, 512, 1024 ppr RS 422: 16, 32, 64 ppr		
Impulse Frequency	200 kHz (max.) (HTL ≤ 1024 ppr) 20 kHz (max.) (TTL ≤ 64 ppr)		
Output signals	A, \bar{A} , B, \bar{B} , 0, $\bar{0}$		
Load	max. 30 mA / channel		

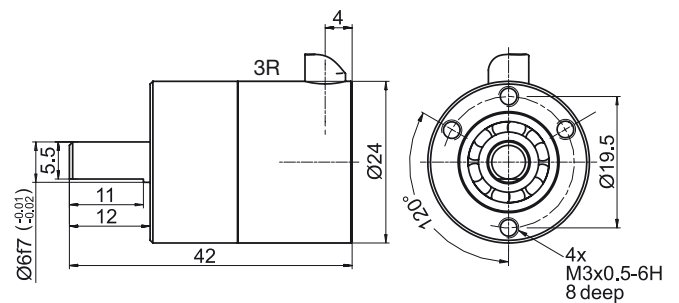
Mechanical Specifications

Cover	Aluminium		
Body	Aluminium		
Shaft	Stainless steel		
Protection	IP 65	optional	IP 67
Speed (max.)	12000 rpm		3500 rpm
Load (max.)	radial 80 N		radial 45 N
	axial 50 N		axial 30 N
Torque	approx. 0.2 Ncm		approx. 1.2 Ncm
Temperature	-40 °C . . . +80 °C		
Weight	approx. 50 g		

Sensor connector 7A, 6-pin



Cable connection 3R with 2 m cable



ORDERING CODE

DINMS 24

Shaft Ø
06 = 6 mm

Output Circuit
A5 = Push Pull
4.75 to 30 VDC
A2 = Line Driver
4.5 to 5.5 VDC
RS 422

Output Signals
9 = A+B+0+Compliments

Connection
3R = shielded cable,
2m,
radial output
7A = 6 pin connector,
axial output

Resolution
1024 max. (A5)
64 max. (A2)

